

Highly

Rollkolbenverdichter

Rotary Compressors

Spezifikation

Installation Manual

WHP13300PSDPC8FQ

R 290

54,8 cm³/rev

900 - 6600 min⁻¹

DC / BLDC

RIES GmbH, Rudolf-Diesel-Str. 10, D 64569 Nauheim, GERMANY

Phone: +49 6152 9741 0, Fax: +49 6152 9741 21, Email: info@ries-gmbh.de, Website: www.ries-gmbh.de

CONTENTS

| | | |
|---------------------------------------|---------|--------------|
| | ————— | 1~4 |
| WHP13300PSDPC8FQ SPECIFICATION | | |
| 1.SCOPE | | |
| 2.SPECIFICATION OF THE MODEL | | |
| 3.THE PARAMETER OF MOTOR | | |
| 4.CHARACTERISTICS | | |
| 5.PARTS AND DRAWING LIST | | |
| HEAT PUMP Compressor CRITERIA | ————— | 5~15 |
| CHECK UPON DELIVERY | ————— | 16 |
| 1.BASIS FOR CHECKING UPON DELIVERY | | |
| 2.RULE FOR CHECKING UPON DELIVERY | | |
| DRAWINGS | ————— | 17~26 |
| ATTACHED PAGE | 0 ————— | 27~30 |
| SPECIFICATION REVISION RECORD | ——— | 31 |

SUBJECT

Model WHP13300PSDPC8FQ SPECIFICATION

PAGE: 1/31

1. SCOPE

This specification is applied to SHANGHAI HIGHLY Heat pump water heater compressor.

2. SPECIFICATION OF THE MODEL

| Item | Spec |
|------------------------------------|---|
| 2.1 Model Type | WHP13300PSDPC8FQ |
| 2.2 Power source input to inverter | Rated voltage / Rated frequency/Phase 380V/50Hz/3Φ OR 220V/50HZ/1Φ |
| 2.3 Output | 2630W (@3600 min ⁻¹) |
| 2.4 Application | Heat pump water heater |

2.5 Performance

| Item | Rated Condition |
|--|------------------------|
| Rotational speed | 3600 min ⁻¹ |
| Nominal Heating Capacity | 13300W ± 5% |
| Motor input | 2860W ± 5% |
| Current | 11.5A ± 5% |
| COP (see*) | 4.65 ± 5% |
| Test Conditions | |
| Evaporating temp. | 7.2°C |
| Condensing temp. | 54.4°C |
| Liquid temp. entering expansion valve. | 46.1°C |
| Return gas temp. | 35°C |
| Ambient temp. | 35°C |

SUBJECT

Model WHP13300PSDPC8FQ SPECIFICATION

PAGE: 2/31

*.COP= $\frac{\text{Heating capacity (W)}}{\text{Motor input (W)}}$

*.Rated Capacity and input are measured with HITACHI inverter circuit by secondary Refrigerant calorimeter Methods of JIS B8606 by SHANGHAI HIGHLY Electrical Appliances Co., Ltd.

| | |
|---|---|
| 2.6 Refrigerant | R290 |
| 2.7 Displacement | 54.8ml /rev (Double-cylinder |
| 2.8 Allowable frequency range | 900~6600 min ⁻¹ |
| 2.9 Oil | HAF68 1150±20ml |
| 2.10 Allowable amount of refrigerant charge | Below 1500g |
| 2.11 Hermetic Terminal | Conventinal Type |
| 2.12 Space volume of inner case | 1500cm ³ |
| 2.13 Compressor weight | 18.9kg incl. Oil |
| 2.14 Motor Type Insulation class | Direct current brushless motor E class |
| 2.15 Compressor natural frequencies | 19.9Hz/21.7Hz/24.5Hz±3Hz (should be avoided or pass within ten seconds are compressor natural frequencies, and they can be changed when connecting with pipe lines. So, it is necessary to take the piping stress of the system into account. The recommended piping stress value can be seen as follow, When the system Start/stop: below 34.3N/mm ² When the system operating: below 17.7N/mm ² |

3. THE PARAMETER OF MOTOR

| | | |
|---------------------------------------|--------------|---|
| 3.1 Rotor Pole (Pole) | 4 | --- |
| 3.2 Rated Frequency Range (Hz) | 30-220 | Electrical Frequency, Relating to VDCmax of Inverter |
| 3.3 Demagnetizing Current (A) | 54.01A | Peak Current, at 120°C , -5% Demagnetizing Rate |
| 3.4 Inductance Ld (mH) | Sheet 2 | --- |
| 3.5 Inductance Lq (mH) | Sheet 2 | --- |
| 3.6 Stator coil resistance (20°C) (Ω) | 0.502 (20°C) | line-to-line |
| 3.7 Voltage Constant (Vrms/krpm) | 43.10V/krpm | line-to-line |
| 3.8 Torque Constant (N·m/Ams) | 0.69 | Torque/Current 力矩/电流 |
| 3.9 Inertia (Kg·m2) | 0.000666 | ----- |
| 3.10 Flux Φa (Wb)) | 0.1702 | $\phi \text{ (Per Phase, Peak)} = \frac{\sqrt{2} \times E0}{2\pi f \sqrt{3}}$ $\phi \text{ (一相 peak 值)} = \frac{\sqrt{2} \times E0}{2\pi f \sqrt{3}}$ |
| 3.11 Magnet Material | NdFeB | |

Sheet 2

| | | | | | | | | | | | | | | | |
|---------|------|------|------|------|------|------|------|------|------|------|------|------|------|------|------|
| Current | 1 | 2 | 3 | 4 | 5 | 6 | 7 | 8 | 9 | 10 | 11 | 12 | 13 | 14 | 15 |
| q | 5.44 | 5.39 | 5.34 | 5.29 | 5.24 | 5.18 | 5.12 | 5.06 | 5.00 | 4.95 | 4.89 | 4.83 | 4.78 | 4.72 | 4.66 |
| d | 3.71 | 3.65 | 3.65 | 3.64 | 3.63 | 3.61 | 3.59 | 3.56 | 3.54 | 3.51 | 3.48 | 3.45 | 3.42 | 3.39 | 3.36 |

Sheet 3

| | | | | | | | | |
|------------------------------|-----|-----|-----|-----|-----|-----|-----|-----|
| Running effectiv current (A) | 3 | 4 | 5 | 6 | 7 | 8 | 9 | 10 |
| Running torque (N.m) | 2.1 | 2.8 | 3.4 | 4.1 | 4.8 | 5.5 | 6.2 | 6.9 |

4. CHARACTERISTICS

4.1 Appearance

The surface of the compressor is painted to black, without obvious flaw , impact scar, paint peel off, rust and so on.

| | | |
|--|---|------------|
| | SUBJECT Model WHP13300PSDPC8FQ SPECIFICATION | PAGE: 4/31 |
|--|---|------------|

4.2. Indication

Compressor model type, manufacturing data are clearly indicated on the surface of compressor.

4.3. Residual moisture 150mg MAX

Residual impurities 4.4. 90mg MAX

5 PARTS AND DRAWING LIST

| PARTS NAME | | QTY/SET | DRAWING NO. | REMARKS |
|---------------------|----------------|---------|-------------|---|
| Compressor | | 1 | 4CYCH0638 | Dimensioned sketch |
| Mounting Parts | Rubber grommet | 3 | 4CYC00643 | |
| | Bolt | -- | 4CYC00700 | * |
| | Nut | -- | M8 | * |
| Electrical Parts | Thermostat | 1 | 4CYC01403 | |
| | Terminal cover | 1 | 4CYC00988 | |
| | Gasket | 1 | 4CYC01047 | |
| | Nut | 1 | 3CYC00004 | |
| | Rubber washer | 1 | 4CYC00174 | |
| | Sleeve | 1 | 4CYC01042 | |
| | | | 4CYC01272 | Lead routing |
| | | | 1 | Pressure guarantee Chart |
| | | | 2 | Pressure Guarantee Range Chart |
| | | | 3 | Notes for rotational speed change Performance curve |
| | | | | Appendix |

*. Out of supply, for reference./ Nicht mitgeliefert- nur als Referenz

COMPRESSOR CRITERIA

1 Strictly observe the specification

The compressor should be used in specifications written in this “compressor specification” and not be used in specifications outside it.. The main circuit must link up with fuse or breaker.

2 Source voltage

Specified inverter is linked up with compressor terminals . Applied voltage of this inverter should be voltage specified in this “compressor specification”. Alternating voltage should never be applied on terminals (for example: commercial alternating voltage of 1 ϕ 100V, 200V, 3 ϕ 200V). This is because that if applied alternating current the direct current motor will demagnetize.

3 Operating voltage range

The compressor should be operated in the range of rated voltage $\pm 10\%$, under standard condition and overload condition of rated frequency (applied voltage to inverter). It must be satisfied with item 5 ,6,7.

4 Operating temperatures and pressures

The operating temperatures and pressures of a compressor should be within the range shown in the table 2 and graph 1.

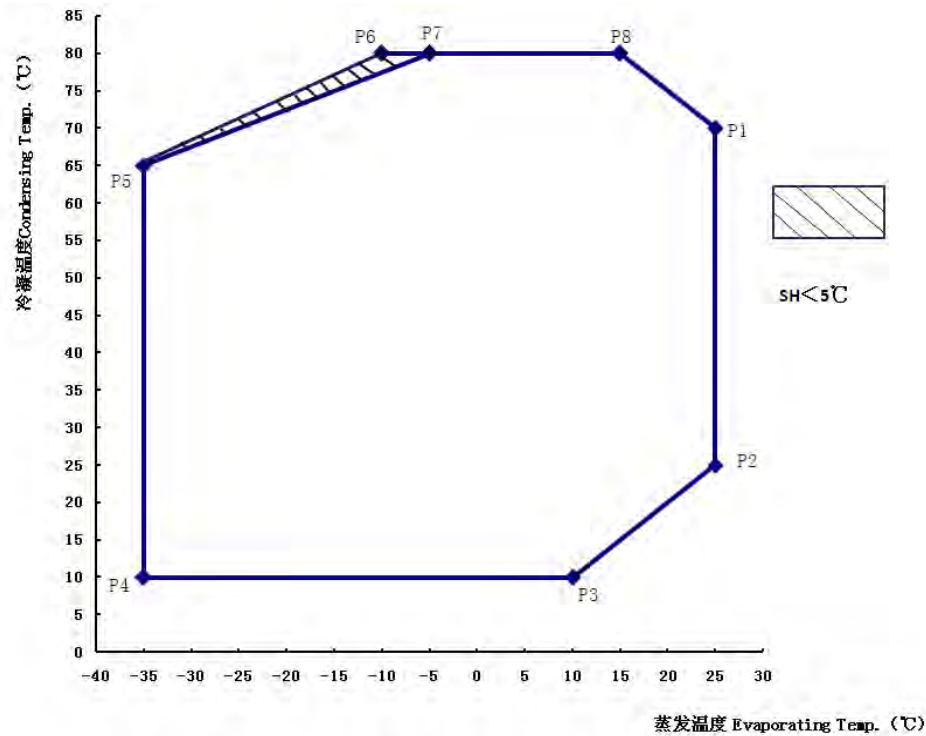
5 Oil Back and height of the oil level

The oil should be returned continuously to the compressor and the structure of the refrigerating system should not make oil stay in the system. The oil level in compressor should be satisfied with chart 2. If not keep the oil level, the shortage will occur, and influence the reliability of the compressor. (please check the oil level in the compressor with the sight glass which supplied form SHEC.

There should be superheated gas returned to the compressor under all normal operating conditions.

Table 2

| Item | Operating Envelope | |
|-----------------------------|---|---------------|
| Discharge pressure MPa | 3.13 {30.91}MAX (condensing temperature 80° C) | (see graph 1) |
| Suction Pressure MPa | 0.139~0.95 {0.40~8.67} (Evaporation Temperature : -35°C~25°C). Compressor suction side can handle the same maximum pressure as discharge side without damage when compressor is not running. | |
| Compressor case bottom temp | 99°C or below and 6 °C higher than condensing temperature, (the time compressor case bottom temp 6 °C below the condensing temperature should be less than 5 minutes each time) , Requirement for high pressure ratio condition can be seen on page 28. | |
| Motor winding temp | R. Voltage ±10%: 120°C MAX | |
| Accumulator temp | Higher than outlet pipe of evaporator | |
| Ambient temp | Meet for the condition of above mentioned motor winding temp. | |



Graph 1 图 1

| | P1 | P2 | P3 | P4 | P5 | P6 | P7 | P8 |
|-------------------------|------|------|------|-------|-------|-------|------|------|
| Condensing temperature | 70°C | 25°C | 10°C | 10°C | 65°C | 80°C | 80°C | 80°C |
| Evaporation Temperature | 25°C | 25°C | 10°C | -35°C | -35°C | -10°C | -5°C | 15°C |

*Requirement for high pressure ratio condition can be seen on page 28.

6 Current limitation

Current peak among motor terminals (include instantaneous current peak) should be below demagnetizing current in order to prevent magnet in motor from demagnetization.

7 Pressure difference between suction and discharge 吸气、排气压力差

In all allowable rotational speed range, the difference of pressure should be more than 0.39MPa{4kgf/cm²}. But if there is no problem of noise when assembled in air conditioner, it can also below this value(the requirement can be seen on page 28).

8 Discharge pipe temperature

Discharge pipe temperature is measured at a distance 300mm from the surface of compressor and should be less than 110°C. The tip of the thermocouple is fixed by soldering when measuring discharge pipe temperature .Furthermore, soldering point is covered with urethane foam to prevent the effect of wind.

9 Dust of compressor hermetic terminals

Compressor hermetic terminals should be mounted with specified cover in right way to prevent dust entering, and should be used in direction which dust is hard to enter in.

10 Lead wire of compressor hermetic terminals

Measuring the temperature of hermetic terminals , lead wire should be resist to the temperature and be clamped so as not in touch with the surface of compressor and pipe.

11 Start-stop frequency

The frequency should be less than 6 times per hour. Operating time from start to stop should be more than 3 minutes to make sure the oil is above the minimum level. Stopping time should be more than 3 minutes to make sure the suction pressure and discharge pressure is balance.

12 Rate of rotational speed change

The rate of compressor rotational speed (acceleration) should be less than $133\text{min}^{-1}/\text{s}$ as the compressor speed is below 5400rpm while less than $60\text{min}^{-1}/\text{s}$ as the compressor speed is higher than 5400rpm. However, when rotational speed is reduced to avoid temporary over-current, the rate can also be less than $600\text{min}^{-1}/\text{s}$ when the compressor speed is below 5400rpm and should be less than $300\text{min}^{-1}/\text{s}$ when the speed of compressor reach above 5400rpm, only if the variable range is below 120min^{-1} .

13 Air and moisture in refrigerating system

The degree of vacuum in refrigerating system should be less than 20Pa ($150 \times 10^{-3}\text{mmHg}$) at room temperature just before charging refrigerant. The quantity of water should be less than 0.15ml.

14 Impurities in refrigerating system

- (1) The weight of residue on the inside surface of the heat exchanger and tube should be less than $0.01\text{g}/\text{m}^2$. But metallic dust should not be permitted in the system. This value means the weight of foreign residue collected by filter paper after washing inside surface of the heat exchanger tubes with R-11.
- (2) Prevent the impurities from entering into the enclosed unit system used R290. When the impurities entered into the enclosed system, it will damage the moving mechanism parts and result in the capillary depositing.
- (3) Eliminate all system contaminants such as trichlorethylene, alkalies, soaps, oil, acids & washing fluid used at machining heat exchanger and tubes.

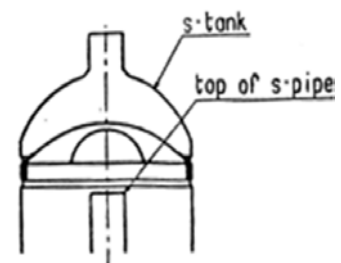
15 Compressor vacuum operation

Compressor should never be operated while under vacuum. Otherwise, internal arcing can cause damaging parts.

16 The compressor should be operated for more than 20 seconds within 15 minutes after charging refrigerant into the system so proper lubrication results.

17 Liquid refrigerant return limitations 有关液体制冷剂回流的限制项目

- (1) Liquid refrigerant level in s-tank should be lower than the top of s-pipe in s-tank. (see chart at right)



- (2) There should not exist noise of the liquid refrigerant compression, current and vibrancy increase. System can append the assistant tank or reduce the amount of refrigerant to prevent from liquid refrigerant compression. Refrigerant system forbid liquid refrigerant from flowing back compressor in any case. In normal condition the overheat gas refrigerant should flow back compressor.

18 Purge parts with dry nitrogen or dry air to remove remains in parts (dust, detergent, etc.)

before assembly of system. Time for purging: over one second for pipe; over three seconds for heat exchanger. Purging pressure: $0.9 \pm 0.1 \text{MpaG}$. Dew point of dry air: Below -20°C .

The motor winding temperature should be less than 149°C and hermetic terminal body temperature should be less than 177°C in process of manufacturing.

19 Apply for vehicle

The compressor should not be used on moving equipment such as automobiles, trains, ships, etc.

20 Installation

The rotational axis of compressor should be kept vertical during operation. But in actual application the axis incline must be within 5° at all directions during operation.

21 Pipe vibration

The displacement of the pipes, which connect from the compressor to other parts of the refrigerate-or systems, should be less than 0.8mm ($1/32''$) when the compressor is operating at allowable rotational speed range and voltage range of rated $\pm 10\%$.

Displacement in excess of 0.8mm ($1/32''$) will require changing tube length and/or routing.

22 Connecting tube design

In designing and routing tubing that connect from the compressor to the other parts of the air conditioner, following should be considered.

Moving tubes to the moving parts; minimum clearance 12.7mm(1/2") Moving tubes to non-moving parts; minimum clearance 9.5mm((3/8")
Moving tubes never touch to lead wire.

23 Avoid refrigerant migration

The refrigerant migration to compressor shell should be avoided during the heat pump water heater system shut down periods, It's suggested that the electric heating belt should be used around the shell bottom when necessary.

24 Miscellany

(1) The compressor should be carried carefully to avoid drop, drag , impact and should not apply partial force on projection parts such as pipe, hermetic terminals, foot during carrying and processing.

(2) The compressor should not be operated to form a vacuum and to absorb air. The compressor only can run in one direction which according to lead routing wiring diagram. Never reversion otherwise the compressor will be in trouble.

(3) The compressor should not be left opened in the atmosphere for more than 5 minutes.

When the air entered into the unit system with refrigerant R290, it will expedite the deterioration of the oil and result in the capillary depositing and the reducing of insulation resistance.

(4) Electric pulse should not be applied to compressor when it is in vacuum.

(5) The compressor should be kept in the place with low-dust, low-moisture.

- (6) The compressor can't be used in the place with corrosive atmosphere such as hot spring and chemical warehouse. It should not be the structure often splash water on the surface of the compressor forcibly.
- (7) The trouble of cross valve, electromagnetic valve, defroster, refrigerant controller, fan motor used in refrigerating system may cause compressor accident. So their reliability should be ensured completely. Moreover, the way of design, manufacture, application of refrigeration cycle with less-leak should be adopted.
- (8) The main electric circuit should be equipped with fuse or breaker.
- (9) Refrigerant should be charged from the end of condenser of refrigerating systems.
Never Charge refrigerant to the compressor directly.
The refrigerant should always be charged in liquid state. When the refrigerant is charged in gas state. The percent component will possibly be changed.
- (10) Temperatures within systems during stable compressor operation should not be less than -35°C to prevent wax precipitation from the oil.
- (11) The units of refrigerating system should be connected to earth.
- (12) Compressor mounting
Rubber grommets are designed soft to provide the noise isolation and to lessen vibration Energy transmission. Stud bolt should be designed to provide sufficient clearance for noise and vibration isolation and to prevent compressor from coming off its mount.
橡胶避振脚是采用防止由于噪音引起的振动及振动能量吸收原理设计的。所设计的固定杆应提供足够的间隙用于噪音及振动隔离，并且防止压缩机从避振脚上滑落。
- (13) There should be adequate clearance between the under—surface of Push-Nut and the upper surface of rubber grommets.

- (14) SHEC will not take any responsibility against accident that is caused by the accessories equipped by yourselves.
- (15) The hermetic terminals of compressor should not be inserted slantingly and not be applied twisting force after inserting so as to avoid reducing of terminal fixed force.
- (16) The pipe and hermetic pens attached to the compressor should not be bent.
- (17) The dropped compressor can't be used anymore.
- (18) Compressor can be used when ambient temperature is higher than -10°C . Confirm the start-up of compressor if the temperature of compressor surface is below -10°C . Heat up compressor to reach the temperature higher than -10°C with heater if the ambient temperature is below -10°C .
- (19) Set a thermistor on the case cover of compressor to prevent from accident of leakage of refrigerant.
The thermistor can stop the operation of compressor when compressor in abnormal temperature.
The lead wires of thermostat is enveloped with tube, as same as that of the terminals, to avoid directcontact with the compressor and pipe.
- (20) The compressor should not be splashed with water intentionally. Prevent moisture from entering into the enclosed unit system. When the moisture entered into the unit of the refrigerant R290, the refrigerant oil and the organic compound material presented in the hermetic motor will possibly decompose on the affecting of water. It will result in the capillary depositing and the reducing of insulation resistance.

It is necessary to install a dryer to dehumidify the residual moisture mixed in the refrigerant in the cycling system. The specially defined molecular-sieve dryer is advised.

- (21) Use the refrigerant of specified brand. When the refrigerant not specified used, it will possibly cause trouble of the performance and reliability of the compressor by the impurities in the refrigerant.
- (22) The lead wires should be connected to hermetic terminals without being touched on the surface of the compressor.
- (23) Be careful of avoiding oxide scale while soldering during assembly of refrigerating system.
(for example: flow or fulfill dry nitrogen)
- (24) The quantity and kind of contamination (the process materials) in the cycle should be grasped and managed. Carry on reliability test that input contamination a lot than anticipated contamination quantity.
- (25) To avoid water and impurity into the refrigeration system and make sure no leakage of refrigerant during the operating course. It's required to direct the erector and maintenance man of air-conditioner.
- (26) The start-up current and torsion of compressor
Adjust the start-up current of the compressor to get enough torsion by inverter. Confirm and measure the start-up current if change the parts and design.

(27) The fuse or/and breaker should be equipped in the main circuit.

(28) The thickness of the refrigerating system using tube
the tube thickness as followed

| External diameter(mm) | 6.35 | 6.35~11.0 | 11.0~13.0 | 13.0~15.0 | 15.0~19.0 |
|-----------------------|------------|------------|------------|------------|------------|
| Thickness | ≥ 0.5 | ≥ 0.5 | ≥ 0.6 | ≥ 0.6 | ≥ 0.8 |

1. Basis for Checking upon Delivery

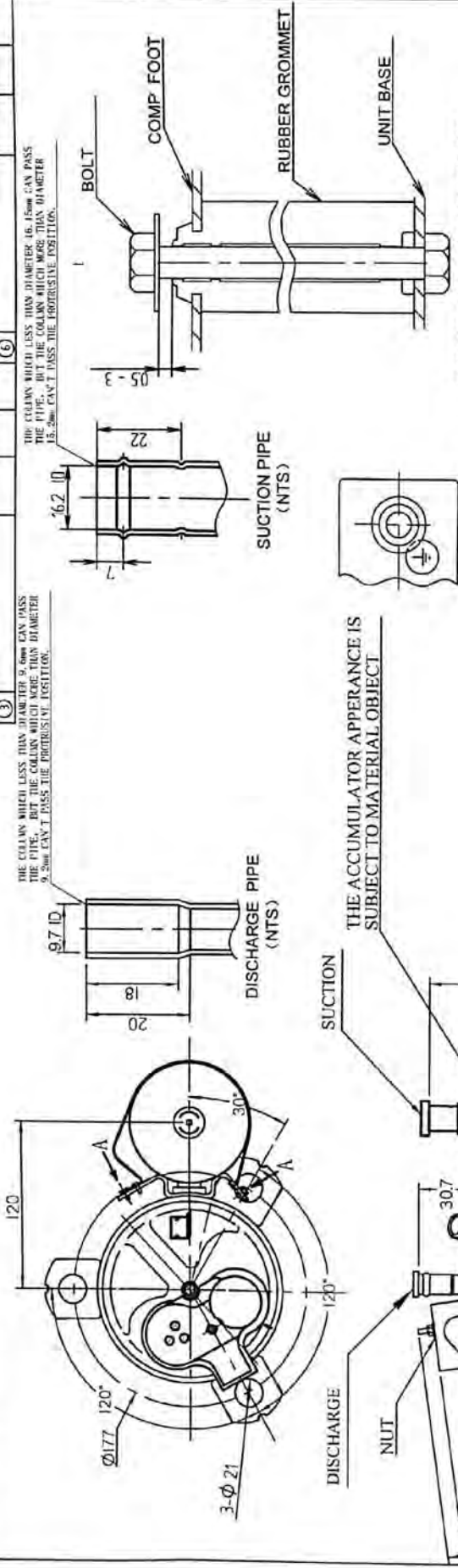
The Performance test will be carried out in accordance with this “compressor Specification”.
The Safety Performance in accordance with GB4706.1 Safety of household and similar electrical appliances General requirements and GB 4706.17 Safety of household and similar electrical appliances Particular requirements for motor-compressor.

2. Rule for Checking upon Delivery

If come across any quality problem, please notify the company in written form within 30 days after the arrival of the cargo, the company shall exchange exactly the number of the products, otherwise they shall be regarded as being up to standard.

| | | | | | | | | | | | |
|----|---|---|-----|----|----|----|---|---|-----|----|----|
| 记号 | 来 | 历 | 年月日 | 订正 | 审查 | 记号 | 来 | 历 | 年月日 | 订正 | 审查 |
| ① | | | | | | ④ | | | | | |
| ② | | | | | | ⑤ | | | | | |
| ③ | | | | | | ⑥ | | | | | |

4CYCH0638
版本标识 A



THE COLANS WHICH LESS THAN DIAMETER 9.0mm CAN PASS THE PIPE, BUT THE COLANS WHICH MORE THAN DIAMETER 9.2mm CAN'T PASS THE PROTRUSIVE POSITION.

THE COLANS WHICH LESS THAN DIAMETER 16.5mm CAN PASS THE PIPE, BUT THE COLANS WHICH MORE THAN DIAMETER 15.2mm CAN'T PASS THE PROTRUSIVE POSITION.

NOTE:
 1. THE TORQUE ENFORCED ON THE NUT IS 1.5±0.3N.m
 2. PUTTING OUT RUBBER PLUG WHEN FIXING EARTH PARTS.

THE CONCRETE APPEARANCE IS SUBJECT TO MATERIAL OBJECT

THE CONCRETE APPEARANCE IS SUBJECT TO MATERIAL OBJECT

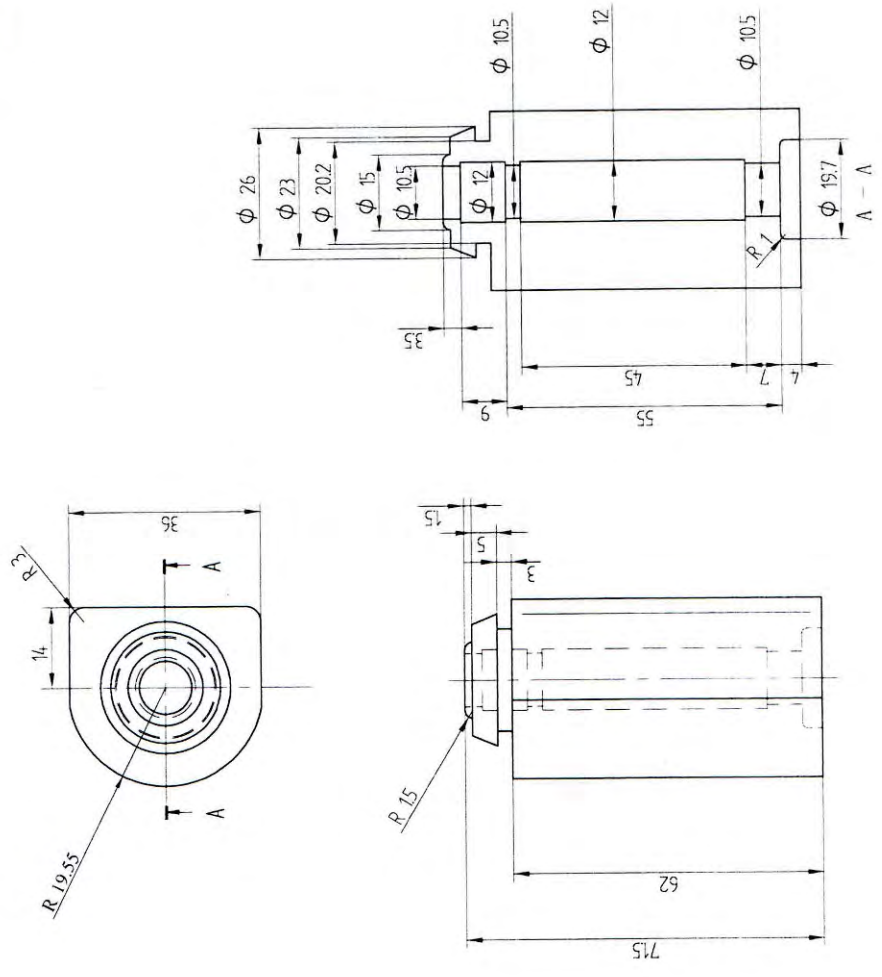
DIMENSION mm

| | |
|------------------|--|
| WHP13300PSDPC8FQ | |
| | |
| | |

| | | | | |
|---------|----------|------------|-------|--------------------|
| RECD | RE MARKS | PROJECTION | SCALE | DWN NO. |
| | | NTS | NTS | 4CYCH0638 |
| DWN | CHD | CHD | APPL | TITLE |
| 潘飞 | 潘飞 | 潘飞 | 潘飞 | DIMENSIONED SKETCH |
| 20.1.19 | 20.1.19 | | | |
| | | | | |
| | | | | |
| | | | | |

4CYC00643
 版本标识 B

| | | | | | | | | | |
|----|----|-----|----|----|----|----|-----|----|----|
| 记号 | 来历 | 年月日 | 订正 | 审查 | 记号 | 来历 | 年月日 | 订正 | 审查 |
| ① | | | | | ④ | | | | |
| ② | | | | | ⑤ | | | | |
| ③ | | | | | ⑥ | | | | |



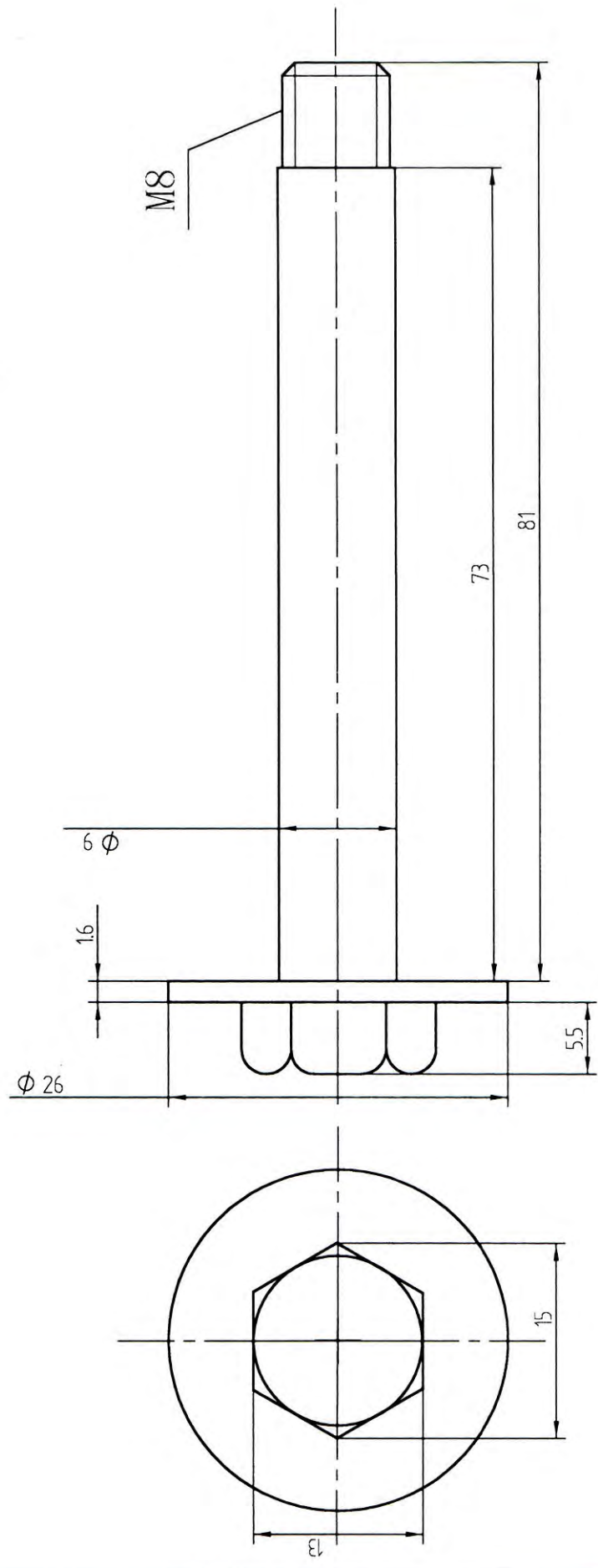
MATERIAL: NATURAL RUBBER
 Hs47 $\pm 5^\circ$
 DIMENSION: mm

| | | | | |
|-------|--------------------|------------|-------|-----------|
| REGD. | RE MARKS | PROJECTION | SCALE | DWG. NO. |
| | | ② | NIS | 4CYC00643 |
| DWN. | TITLE | | | |
| CHKD. | DIMENSIONED SKETCH | | | |
| CHKD. | | | | |
| APPR. | | | | |

版本标识 B

4CYC00700

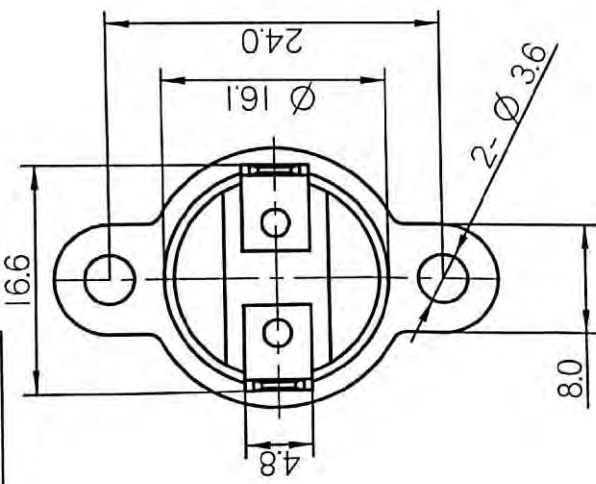
| | | | | | | | |
|----|----|-----|----|----|----|-----|----|
| 记号 | 来防 | 年月日 | 审查 | 记号 | 来防 | 年月日 | 审查 |
| ① | | | | ④ | | | |
| ② | | | | ⑤ | | | |
| ③ | | | | ⑥ | | | |



| | | | | |
|------|-----------|------------|-------|-----------|
| REGD | RE. MARKS | PROJECTION | SCALE | DWG. NO. |
| | | 第一角 | NTS | 4CYC00700 |
| | | TITLE | | |
| | | BOLT | | |
| | | SHEC | | |
| | | | | |
| | | | | |
| | | | | |
| | | | | |

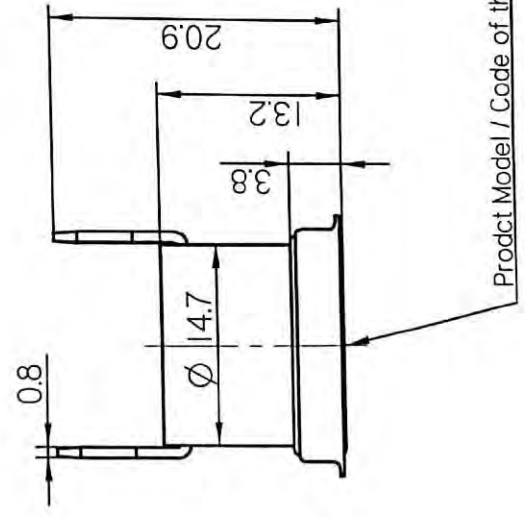
| | | | | | | | | | |
|----|----|-----|----|----|----|----|-----|----|----|
| 记号 | 来历 | 年月日 | 订正 | 审查 | 记号 | 来历 | 年月日 | 订正 | 审查 |
| ① | | | | | ④ | | | | |
| ② | | | | | ⑤ | | | | |
| ③ | | | | | ⑥ | | | | |

4CYC01403
版本标识 A



SPECIFIED LIMITS

| manufacturer | Product Model | (OFF) Operating Temp(OFF) | (ON) Operating Temp(ON) | Testing Voltage | Testing Current |
|--------------|--------------------------|------------------------------|----------------------------|-----------------|-----------------|
| Tongbao | KSD301-11.5/10BC22S20-S2 | 115±3°C | 95±5°C | AC250V | 10A |



Product Model / Code of the operating temp

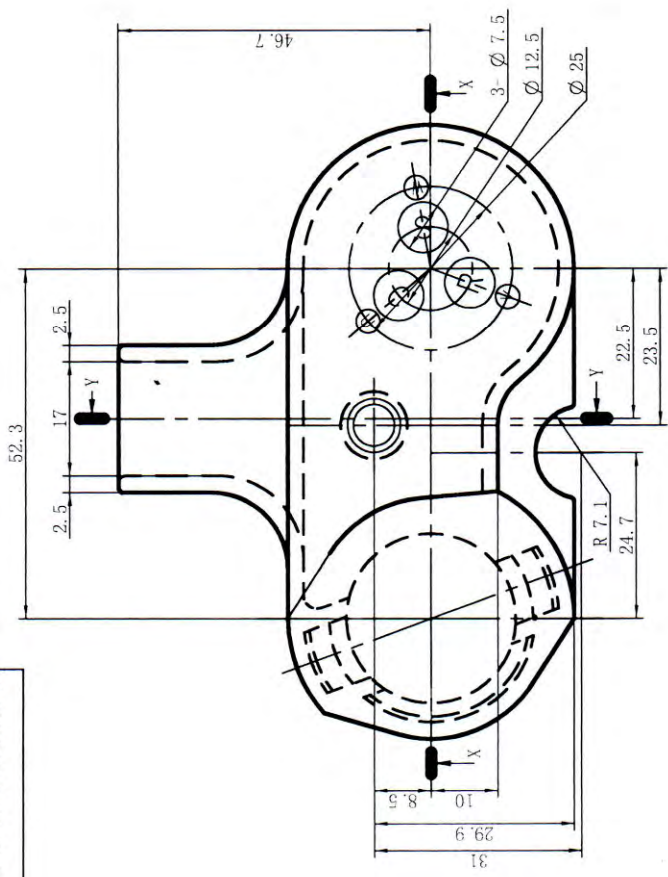
| | | | | |
|-------|----------|------------|-------|-----------|
| RECD | RE MARKS | PROJECTION | SCALE | DWG NO. |
| | | NTS | | 4CYC01403 |
| DWN. | 20.1.19 | THERMOSTAT | | |
| CHKD. | 20.1.19 | | | |
| CIKO. | | | | |
| APPD. | 20.1.19 | | | |

4CYC00988
C

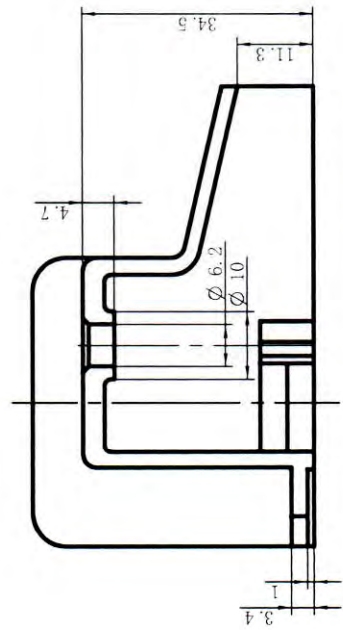
| | | | | | | | | | |
|----|----|-----|----|----|----|----|-----|----|----|
| 記号 | 来歴 | 年月日 | 訂正 | 审查 | 記号 | 来歴 | 年月日 | 訂正 | 审查 |
| ① | | | | | ② | | | | |
| ② | | | | | ③ | | | | |
| ③ | | | | | ④ | | | | |

MATERIAL: VALOX 420 SEO BK1066

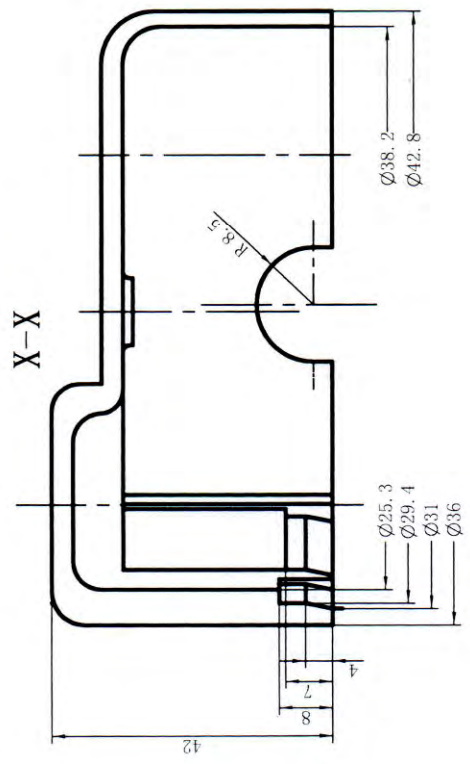
DIMENSION: mm
mm



Y-Y



X-X

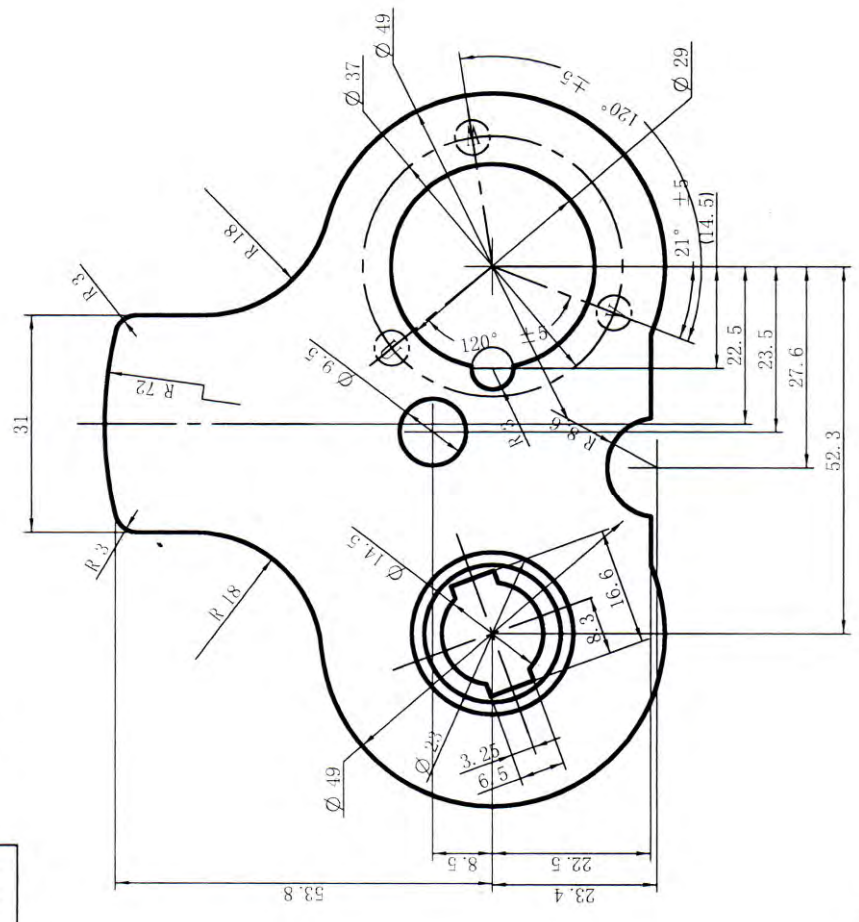


| | | | | | | | | | |
|----------------|----------------|----------------|----------------|----------------|----------------|----------------|----------------|----------------|----------------|
| REGD | REGD | REGD | REGD | REGD | REGD | REGD | REGD | REGD | REGD |
| DRN | DRN | DRN | DRN | DRN | DRN | DRN | DRN | DRN | DRN |
| CHKD | CHKD | CHKD | CHKD | CHKD | CHKD | CHKD | CHKD | CHKD | CHKD |
| APPRD | APPRD | APPRD | APPRD | APPRD | APPRD | APPRD | APPRD | APPRD | APPRD |
| SCALE | SCALE | SCALE | SCALE | SCALE | SCALE | SCALE | SCALE | SCALE | SCALE |
| PROJECTION | PROJECTION | PROJECTION | PROJECTION | PROJECTION | PROJECTION | PROJECTION | PROJECTION | PROJECTION | PROJECTION |
| TITLE | TITLE | TITLE | TITLE | TITLE | TITLE | TITLE | TITLE | TITLE | TITLE |
| TERMINAL-COVER | TERMINAL-COVER | TERMINAL-COVER | TERMINAL-COVER | TERMINAL-COVER | TERMINAL-COVER | TERMINAL-COVER | TERMINAL-COVER | TERMINAL-COVER | TERMINAL-COVER |
| SHEC | SHEC | SHEC | SHEC | SHEC | SHEC | SHEC | SHEC | SHEC | SHEC |
| 4CYC00988 | 4CYC00988 | 4CYC00988 | 4CYC00988 | 4CYC00988 | 4CYC00988 | 4CYC00988 | 4CYC00988 | 4CYC00988 | 4CYC00988 |

版本 B

4CYC01047

| | | | | | | | | | |
|----|----|-----|----|----|----|----|-----|----|----|
| 记号 | 来历 | 年月日 | 订正 | 审查 | 记号 | 来历 | 年月日 | 订正 | 审查 |
| ① | | | | | ④ | | | | |
| ② | | | | | ⑤ | | | | |
| ③ | | | | | ⑥ | | | | |



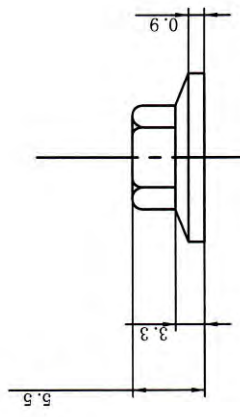
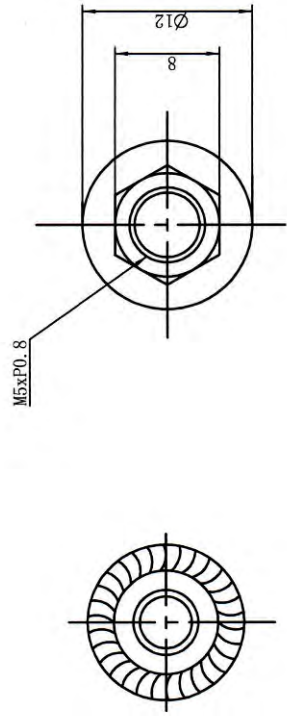
MATERIAL: EPDMFOP-B
 DIMENSION: mm

| | | | |
|-------------|-----------|------------|-----|
| RE MARKS | SCALE | PROJECTION | NTS |
| REGD | | | |
| DWN. 18.6.5 | TITLE | | |
| CHKD. | GASKET | | |
| CHKD. | | | |
| APPD. 5.1.1 | DWN NO | | |
| | 4CYC01047 | | |

3CYC000004

版本标识 E

| | | | | | | | | | |
|----|----|-----|----|----|----|----|-----|----|----|
| 记号 | 来历 | 年月日 | 订正 | 审查 | 记号 | 来历 | 年月日 | 订正 | 审查 |
| ① | | | | | ④ | | | | |
| ② | | | | | ⑤ | | | | |
| ③ | | | | | ⑥ | | | | |



MATERIAL: 08F

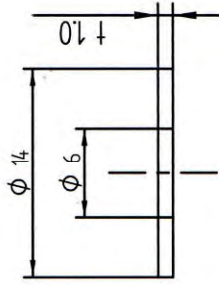
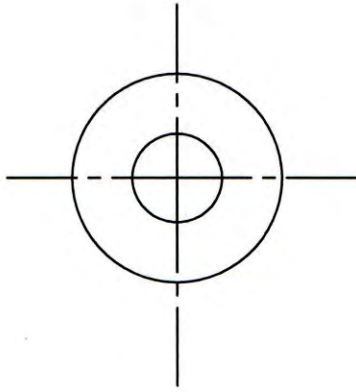
DIMENTION: mm

| | | | | |
|-----------|-----------|-------|------------|------------|
| REGD | RE. MARKS | SCALE | PROJECTION | DRAWING |
| | | NTS | | SHEC |
| DWN. 周永福 | TITLE | | | |
| CHKD. 陆子浩 | NUT | | | |
| CHKD. 陆子浩 | | | | |
| APPD. 周永福 | | | | |
| | | | | 3CYC000004 |

版本标识 B

4CYC00174

| | | | | | | | | | |
|----|----|-----|----|----|----|----|-----|----|----|
| 记号 | 来历 | 年月日 | 订正 | 审查 | 记号 | 来历 | 年月日 | 订正 | 审查 |
| ① | | | | | ④ | | | | |
| ② | | | | | ⑤ | | | | |
| ③ | | | | | ⑥ | | | | |

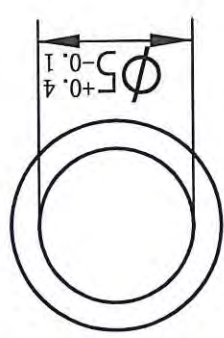
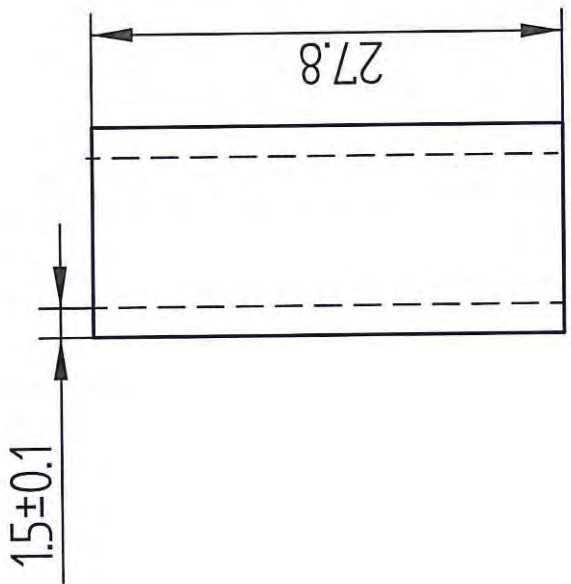


MATERIAL:EPDM

| | | | | |
|-----------|---------------|------------|-------|-----------|
| REGD | RE. MARKS | PROJECTION | SCALE | OWN NO. |
| | | 第一角 | NTS | |
| DRN. 周扬 | | | | |
| CHKD. 陆之浩 | TITLE | | | |
| CHKD. 陆之浩 | RUBBER WASHER | | | |
| APPD. 陆之浩 | | | | |
| | | | | 4CYC00174 |

| 记号 | 来历 | 年月日 | 订正 | 审查 | 记号 | 来历 | 年月日 | 订正 | 审查 |
|----|----|-----|----|----|----|----|-----|----|----|
| ① | | | | | ④ | | | | |
| ② | | | | | ⑤ | | | | |
| ③ | | | | | ⑥ | | | | |

4CYC01042
版本标识 C



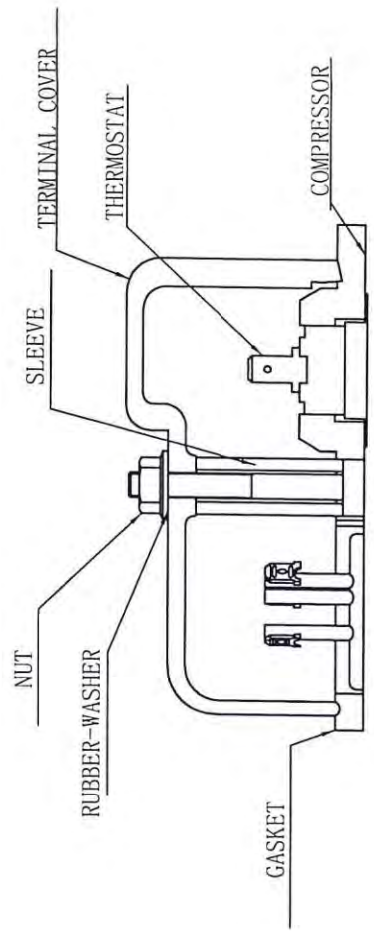
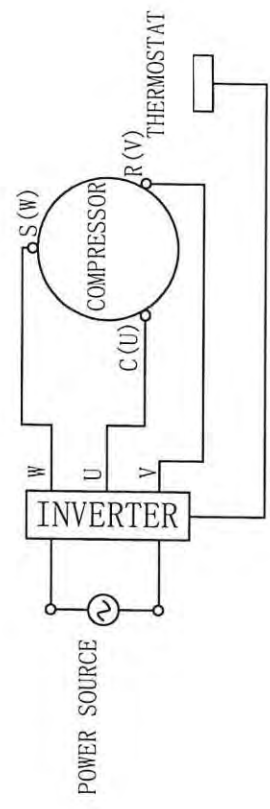
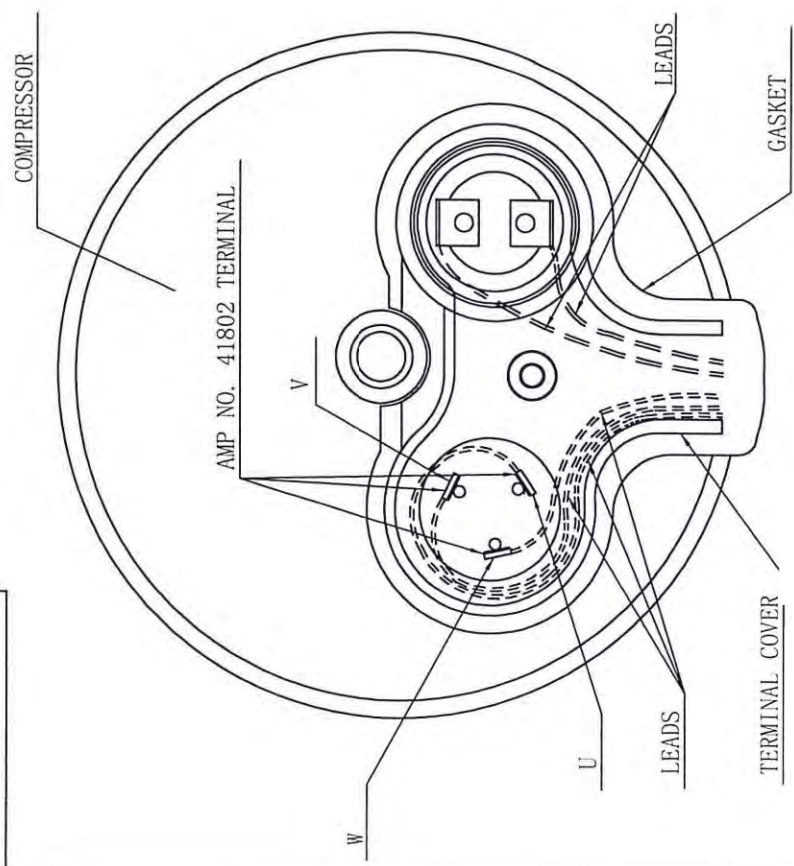
NOTE:
1、COLOR: WHITE
2、MATERIAL: SILICONE RUBBER

| | | | | |
|---------------|------------|------------|-------|-----------|
| REGD | REF. MARKS | PROJECTION | SCALE | DWG. NO. |
| | | 第一角 - 投 | NTS | 4CYC01042 |
| DWN. 18.5.18 | | | SHEC | |
| CHKD. 18.5.18 | | | TITLE | SLEEVE |
| CHKD. 18.5.18 | | | | |
| APPD. 18.5.18 | | | | |

版本标识 B

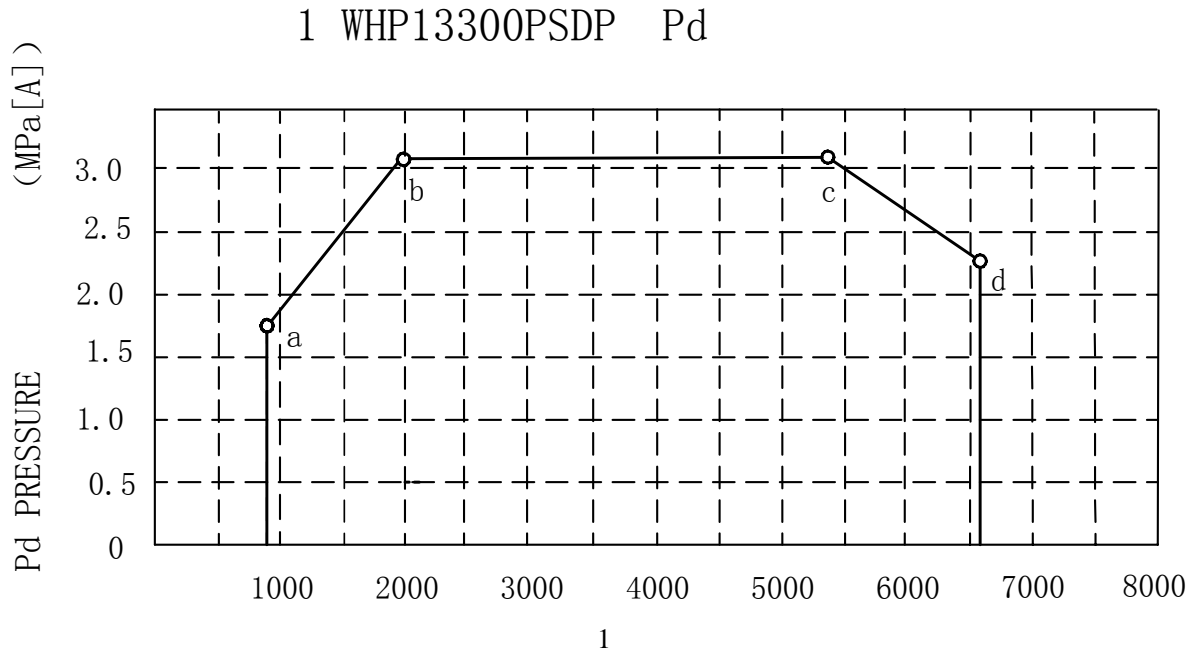
4CYC01272

| | | | | | | | | | |
|----|----|-----|----|----|----|----|-----|----|----|
| 记号 | 来历 | 年月日 | 订正 | 审查 | 记号 | 来历 | 年月日 | 订正 | 审查 |
| ① | | | | | ④ | | | | |
| ② | | | | | ⑤ | | | | |
| ③ | | | | | ⑥ | | | | |



- NOTES:
1. PLEASE PREPARE LEADS BY YOURSELF.
 2. THE LETTER U, V OR W STANDS FOR EACH TERMINAL.
 3. TABS FOR HERMETIC TERMINAL ARE AMP #250.
 4. THERMOSTAT TO BE SET ON THE TOP OF COMPRESSOR AS SHOWN.

| | | | | |
|--------|------------|-----------------------------|-------|-----------|
| REGD | REV. MARKS | PROJECTION | SCALE | DRAWING |
| | | NTS | SHEC | 4CYC01272 |
| TITLE | | LEAD ROUTING WIRING DIAGRAM | | |
| DATE | APPD. | | | |
| 18.6.7 | 18.6.7 | | | |



Compressor running speed range: Min 900min^{-1} ~ Max 6600min^{-1}

| Rotational speed | Pd limit |
|------------------|----------|
| 900 | 1.71 |
| 2000 | 3.13 |
| 5400 | 3.13 |
| 6600 | 2.34 |

Instructions:

1.

The pressure ratio(Pcr) should satisfy the following conditions:

- 1) 900~2000rpm: $1.5 \leq Pcr \leq 8.0$
- 2) 2000~6600rpm: $2.0 \leq Pcr \leq 8.0$

2.

If the suction pressure, pressure ratio out of the used envelop under normal operating conditions, the following tips should be considered to make the compressor operating reliability.

| | Condition 1 | Condition 2 | Condition 3 | Condition 4 | Condition 5 | Condition 6 |
|-------------------------|---|---|--|--|--|--|
| Range of the conditions | $P_s \geq P_{smax}$ | $0.137 \leq P_s \leq 0.168 \text{MPa [A]}$ | Pressure ratio ≥ 8 | Pressure ratio ≤ 1.5 | Pressure difference $\leq 0.39 \text{MPa}$ | The oil Temperature SH $\leq 6 \text{ }^\circ\text{C}$ |
| Operations requirement | 1 Frequency $\leq 70 \text{Hz}$ 2) $P_s \leq 1.3 \text{MPa (A)}$ 3) $P_d \leq P_{dmax}$ | 1) Rotational speed $N \leq 6600 \text{rpm}$ 2) Pressure ratio ≤ 10 3) Lasting time: $\leq 360 \text{hr}$ 4) The oil level should be in the fixed range 5) Td The discharge temperature should be in the fixed range 6) SH $\geq 6 \text{ }^\circ\text{C}$ $\geq 0.5 \text{cP}$ The oil temperature SH $\geq 6 \text{ }^\circ\text{C}$ or oil viscosity $\geq 0.5 \text{cP}$ | 1) In the heating mode 2) Pd The discharge pressure should be in the fixed range 3) Ps The suction pressure should be in the fixed range (include ranges under limited conditions) 4) Td The discharge temperature should be in the fixed range | The working compressor has no abnormal noise | The working compressor has no abnormal noise | The oil viscosity $\geq 0.5 \text{cP}$ |

3.

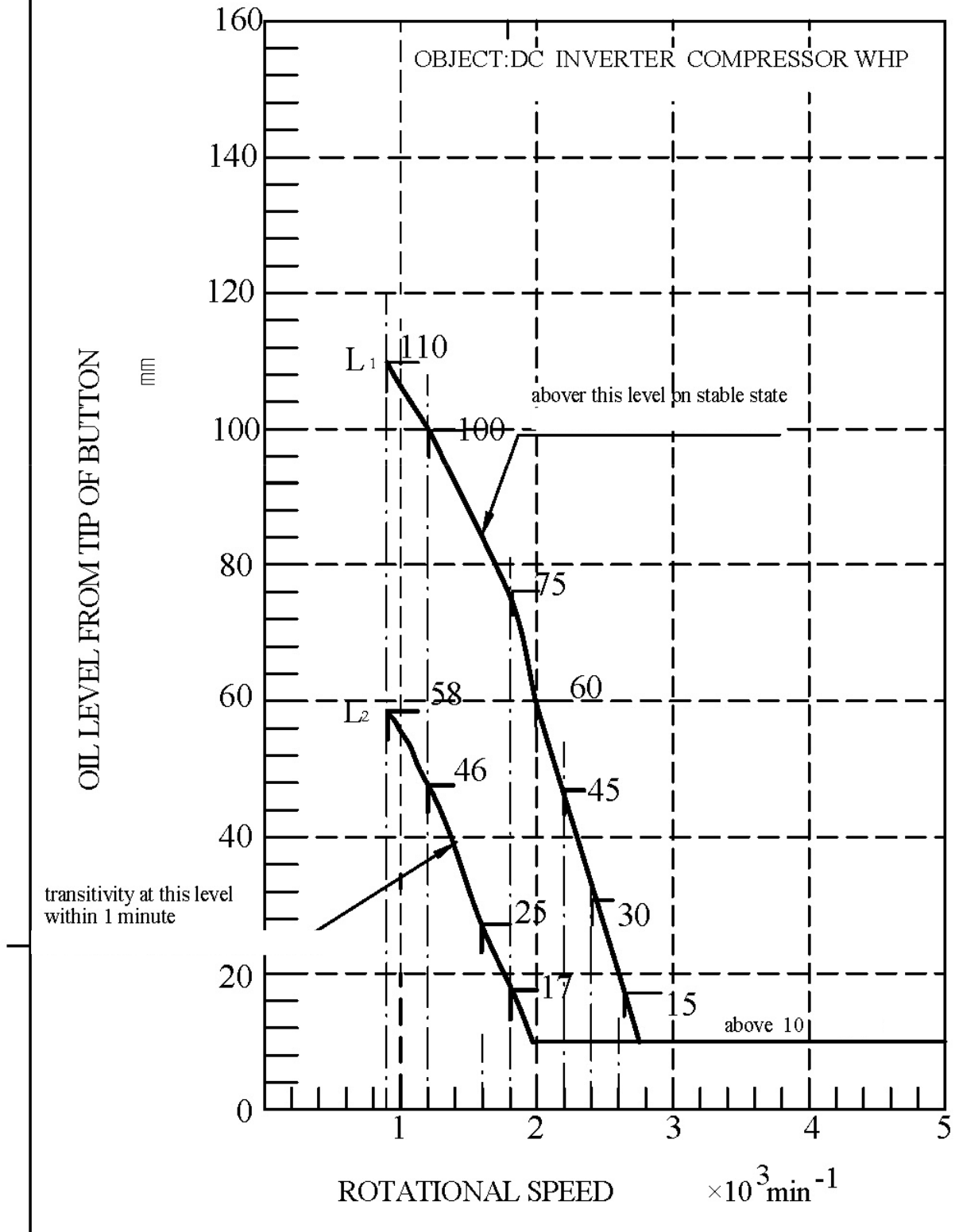
In the transitional stage to the final operating condition, the suction pressure and pressure ratio should satisfy the following conditions. (lasting time $\leq 5 \text{min}$ each time):

- a.) The suction pressure can be lower than 0.168MPa, but should not below 0.137MPa.
- b) Pressure ratio value ten was allowable when the discharge temperature $< 100 \text{ }^\circ\text{C}$ and oil viscosity $\geq 0.5 \text{cP}$.

The transitional stage : the system start-up, defrosting or other operating control (on/off or transformation of operating conditions), the stage when pressure or temperature changing rapidly.

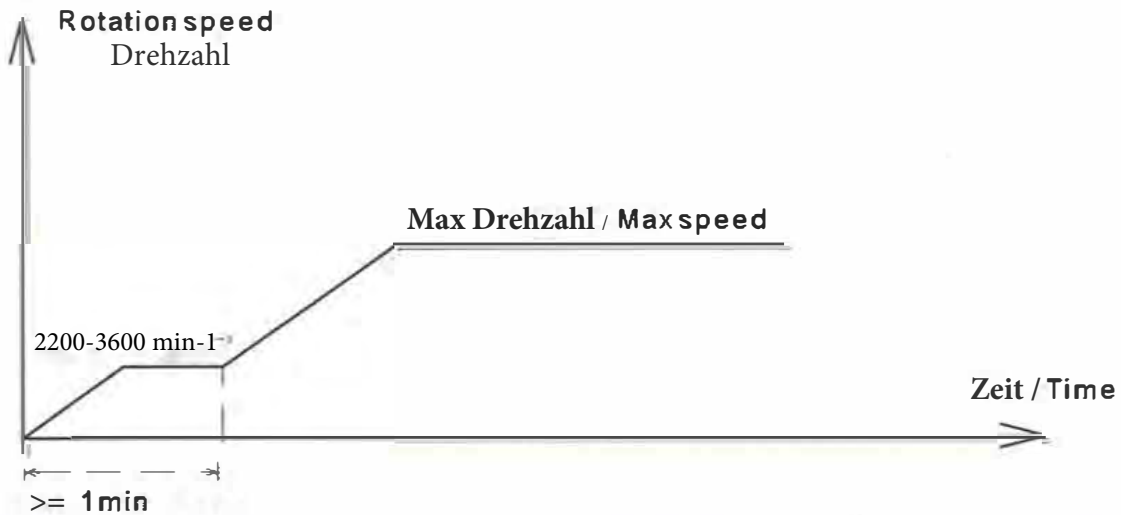
CHART2 WHP13300PSDP DC INVERTER COMPRESSOR OIL LEVEL DATUM

2 WHP13300PSDP

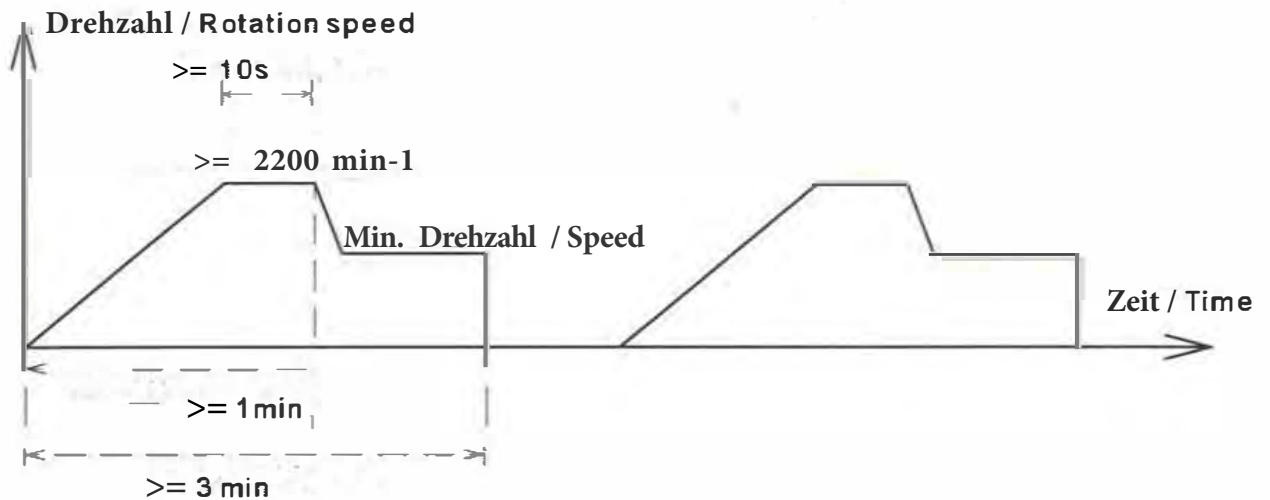


Drehzahländerung / Speed change rate: $\leq 133 \text{ min}^{-1}/\text{s}$
 Max und Min Drehzahl in den einzelnen Spezifikationen
 Max and min speed is showed in the specification

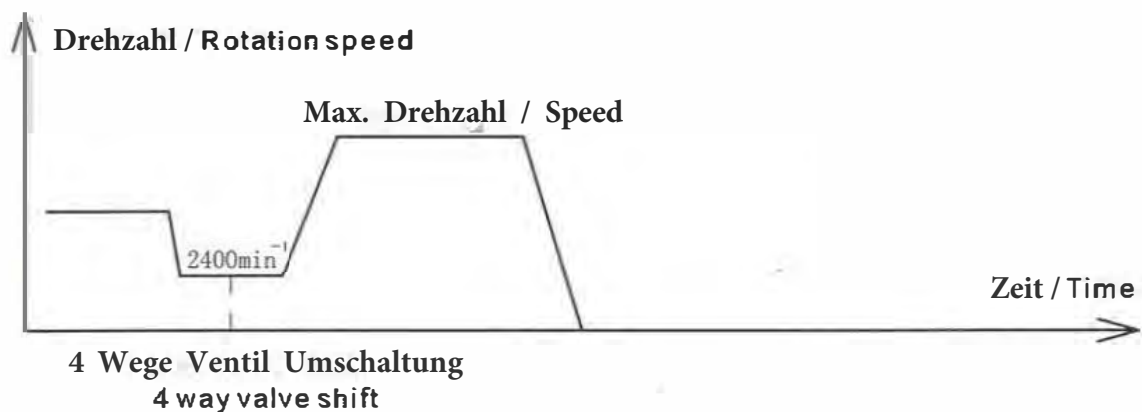
(1) Vom Start zur gewünschten Drehzahl / From starting to normal running



(2) Niedrige Drehzahl und unregelmäßiger Betrieb / Low speed un-continuously running



(3) Abtauung / Defrost mode (unter Verwendung eines 4 Wege Ventiles / by using 4 way valve)



Specification Revision Record

| No. | Date | Page in Spec | Revision Reason | Conclusion Date |
|-----|------|--------------|-----------------|-----------------|
| A | | | | |
| B | | | | |
| C | | | | |
| D | | | | |
| E | | | | |
| F | | | | |
| G | | | | |
| H | | | | |
| J | | | | |
| K | | | | |
| L | | | | |
| M | | | | |
| N | | | | |
| P | | | | |
| Q | | | | |
| R | | | | |
| S | | | | |
| U | | | | |
| V | | | | |